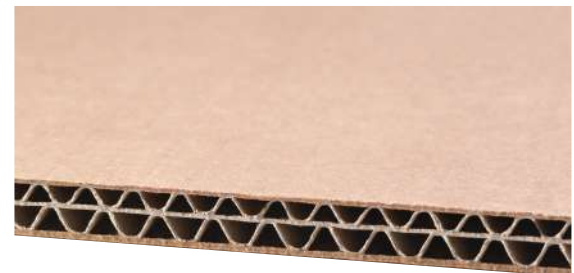
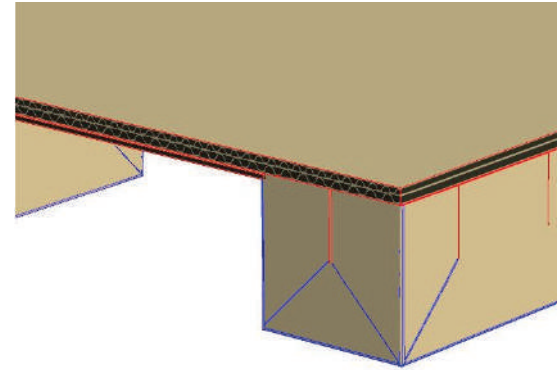


# CLICKpal 1200x1000 - AC

## CP1210ACT

- The surface of the pallet is made up of one format of corrugated cardboard 1200x1000 AC.
- Loads: Result subject to weather conditions and load placement.
  - Static: Up to 1000kg.
  - Dynamic: Up to 400kg.
- Rack use is not recommended.
- Measures: 1200 x 1000 x 100 cm +-3mm.
- Weight: 3'800 Kg +-10%.
- Observations:
  - Pallet not affected by NIMF15 regulations.
  - Manufactured 100% in corrugated cardboard certified as a FSC.
  - Possibility of printing blocks and pallet surface.



# CLICKpal 1200x1000 - A+A

## CP1210AAT

- The surface of the pallet is made up of one format of corrugated cardboard 1200x1000 A and another one stuck against with 1000x1200 format in A wave .
- Loads: Result subject to weather conditions and load placement.
  - Static: Up to 1000kg.
  - Dynamic: Up to 400kg.
- Rack use is not recommended.
- Measures: 1200 x 1000 x 100 cm +-3mm.
- Weight: 3'800 Kg +-10%.
- Observations:
  - Pallet not affected by NIMF15 regulations.
  - Manufactured 100% in corrugated cardboard certified as a FSC.
  - Possibility of printing blocks and pallet surface.

