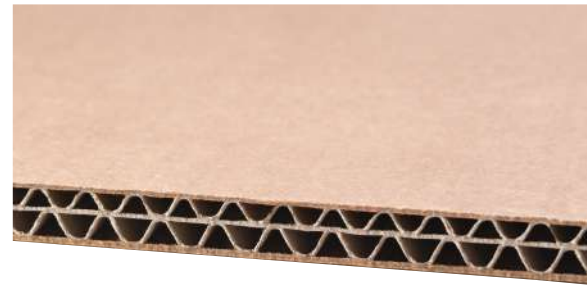
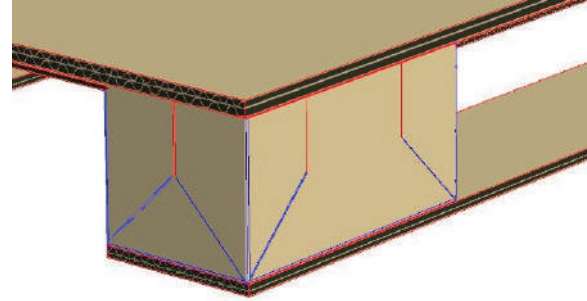


CLICKpal 1200x800 + PATÍ - AC

CP1280ACP

- The surface of the pallet is made up of one format of corrugated cardboard 1200x800 AC.
In the case of the skate, It is made up of a BC format, which connects some blocks with others vertically and reinforces the structure.
- Loads: Result subject to weather conditions and load placement.
 - Static: Up to 1000kg.
 - Dynamic: Up to 400kg.
- Rack use is not recommended.
- Measures: 1200 x 800 x 110 cm +-3mm.
- Weight: 3'800 Kg +-10%.
- Observations:
 - Pallet not affected by NIMF15 regulations.
 - Manufactured 100% in corrugated cardboard certified as a FSC.
 - Possibility of printing blocks and pallet surface.



CLICKpal 1200x800 + PATÍ - A+A

CP1280AAP

- The surface of the pallet is made up of one format of corrugated cardboard 1200x800 A and another one stuck against with 800x1200 format in A wave .
In the case of the skate, It is made up of a BC format, which connects some blocks with others vertically and reinforces the structure.
- Loads: Result subject to weather conditions and load placement.
 - Static: Up to 1000kg.
 - Dynamic: Up to 400kg.
- Rack use is not recommended.
- Measures: 1200 x 800 x 110 cm +-3mm.
- Weight: 3'800 Kg +-10%.
- Observations:
 - Pallet not affected by NIMF15 regulations.
 - Manufactured 100% in corrugated cardboard certified as a FSC.
 - Possibility of printing blocks and pallet surface.

