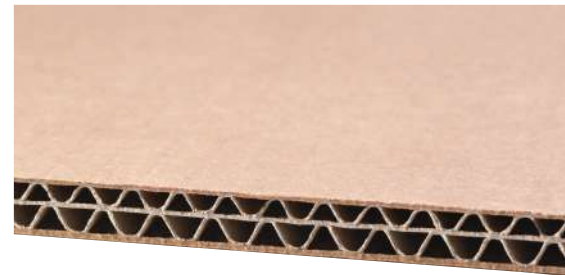
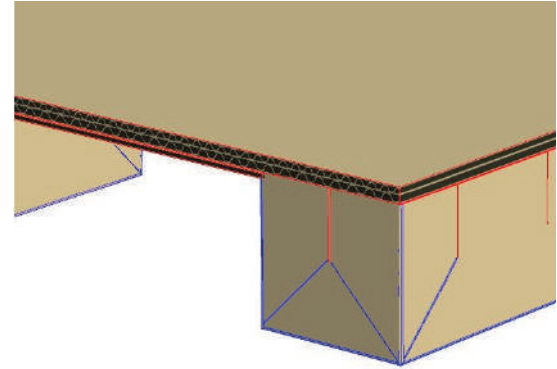


CLICKpal 800x600 - AC

CP8060ACT

- The surface of the pallet is made up of one format of corrugated cardboard 800x600 AC.
- Loads: Result subject to weather conditions and load placement.
 - Static: Up to 1000kg.
 - Dynamic: Up to 400kg.
- Rack use is not recommended.
- Measures: 800 x 600 x 100 cm +-3mm.
- Weight: 2 Kg +-10%.
- Observations:
 - Pallet not affected by NIMF15 regulations.
 - Manufactured 100% in corrugated cardboard certified as a FSC.
 - Possibility of printing blocks and pallet surface.



CLICKpal 800x600 - A+A

CP8060AAT

- The surface of the pallet is made up of one format of corrugated cardboard 800x600 A and another one stuck against with 600x800 format in A wave .
- Loads: Result subject to weather conditions and load placement.
 - Static: Up to 1000kg.
 - Dynamic: Up to 400kg.
- Rack use is not recommended.
- Measures: 800 x 600 x 100 cm +-3mm.
- Weight: 2 Kg +-10%.
- Observations:
 - Pallet not affected by NIMF15 regulations.
 - Manufactured 100% in corrugated cardboard certified as a FSC.
 - Possibility of printing blocks and pallet surface.

